



AVK SUPA-GIB COUPLING, NON-TENSILE, DN300-DN1200
SS316 Sleeve, A4 Fasteners, NBR Seal, PN16

601/517-003

Variable coupling for use on Cast Iron, Ductile Iron, Steel, PVC-U, PVC-M, PVC-O, AC and Copper pipes.
 Manufactured by AVK WANG

Product description:

Non-tensile coupling for connecting pipes with equal diameters, for water and neutral liquids to max. 70°C

Standards:

- Designed to: AS/NZS 4998

Test/Approvals:

- As per requirements of Section 4
- Test according to AS/NZS 4998 - PN16 - 24 bar @ 120 minutes
- StandardsMark approved to AS/NZS 4998

Features:

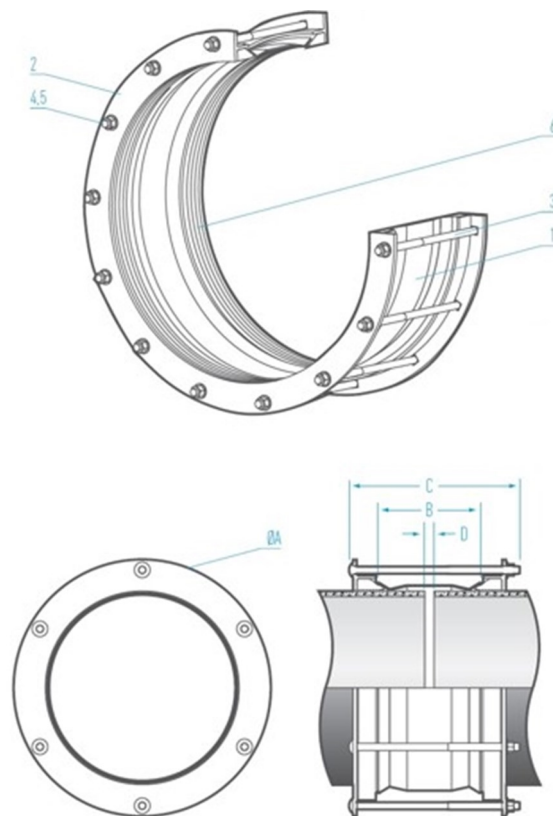
- For water and sewer applications to max 60°C
- Stainless Steel 316 Construction
- A4 bolts & A4 PTFE coated nuts
- Angular deflection up to + - 3 degrees (total 6 degrees)
- 16 bar / 160 meters allowable operating pressure (AOP)
- Provide no longitudinal joint restraint



Expect... **AVR**



The designs, materials and specifications shown are subject to change without notice. This is due to the continuous development of our product range.



Component list:

1. Barrel	Stainless steel 316	4. Nut	Stainless steel A4, PTFE coated
2. Flange	Stainless steel 316	5. Washer	Stainless steel 316
3. Bolt	Stainless steel A4	6. Gasket	NBR rubber

Components may be substituted with equivalent or higher class materials without prior notification.

Reference nos. and dimensions:

AVK ref. no.	DN mm	Product PN Class	Seal range mm	A mm	B mm	C mm	D mm	E mm	Theoretical weight/kg
601-5-0366-171	300	PN16	342-366	499	216	350	15-80	5°	31
601-5-0370-171	300	PN16	346-370	503	216	350	15-80	5°	31
601-5-0384-171	300	PN16	360-384	517	216	350	15-80	5°	34
601-5-0394-171	350	PN16	370-394	527	216	350	15-80	5°	35
601-5-0404-171	375	PN16	380-404	537	216	350	15-80	5°	36
601-5-0420-171	375	PN16	396-420	553	216	350	15-80	5°	37
601-5-0426-171	375	PN16	402-426	559	216	350	15-80	5°	37
601-5-0434-171	375	PN16	410-434	567	216	350	15-80	5°	38
601-5-0446-171	375	PN16	422-466	579	216	350	15-80	5°	39
601-5-0450-171	375	PN16	426-450	583	216	350	15-80	5°	42
601-5-0460-171	400	PN16	436-460	593	216	350	15-80	4°	47
601-5-0468-171	400	PN16	444-468	601	216	350	15-80	4°	48
601-5-0471-171	400	PN16	447-471	604	216	350	15-80	4°	48
601-5-0490-171	450	PN16	466-490	623	216	350	15-80	4°	49
601-5-0512-171	450	PN16	488-512	645	216	350	15-80	4°	51
601-5-0522-171	450	PN16	498-522	655	216	350	15-80	4°	52
601-5-0534-171	500	PN16	510-534	667	216	350	15-80	4°	54
601-5-0546-171	500	PN16	522-546	679	216	350	15-80	4°	55
601-5-0554-171	500	PN16	530-554	687	216	350	15-80	4°	56
601-5-0566-171	500	PN16	542-566	699	216	350	15-80	4°	57
601-5-0576-171	500	PN16	552-576	709	216	350	15-80	4°	58
601-5-0584-171	525	PN16	560-584	717	216	350	15-80	4°	58
601-5-0589-171	525	PN16	565-589	722	216	350	15-80	4°	59
601-5-0598-171	525	PN16	574-598	731	216	350	15-80	4°	59

The designs, materials and specifications shown are subject to change without notice. This is due to the continuous development of our product range.

AVK SUPA-GIB COUPLING, NON-TENSILE, DN300-DN1200**601/517-003****SS316 Sleeve, A4 Fasteners, NBR Seal, PN16****Reference nos. and dimensions:**

AVK ref. no.	DN mm	Product PN Class	Seal range mm	A mm	B mm	C mm	D mm	E mm	Theoretical weight/kg
601-5-0604-171	525	PN16	580-604	737	216	350	15-80	4°	63
601-5-0620-171	525	PN16	596-620	753	216	350	15-80	4°	68
601-5-0626-171	600	PN16	602-626	759	216	350	15-80	3°	69
601-5-0632-171	600	PN16	608-632	765	216	350	15-80	3°	69
601-5-0644-171	600	PN16	620-644	777	216	350	15-80	3°	70
601-5-0654-171	600	PN16	630-654	787	216	350	15-80	3°	71
601-5-0664-171	600	PN16	640-664	797	216	350	15-80	3°	72
601-5-0672-171	600	PN16	648-672	805	216	350	15-80	3°	73
601-5-0678-171	600	PN16	654-678	811	216	350	15-80	3°	73
601-5-0682-171	600	PN16	658-682	815	216	350	15-80	3°	74
601-5-0694-171	600	PN16	670-694	827	216	350	15-80	3°	75
601-5-0714-171	600	PN16	690-714	847	216	350	15-80	3°	76
601-5-0724-171	600	PN16	700-724	857	216	350	15-80	3°	78
601-5-0738-171	675	PN16	714-738	871	216	350	15-80	3°	80
601-5-0760-171	700	PN14	736-760	893	216	350	15-80	3°	82
601-5-0765-171	700	PN14	741-765	898	216	350	15-80	3°	82
601-5-0774-171	750	PN14	750-774	907	216	350	15-80	3°	83
601-5-0794-171	750	PN14	770-794	927	216	350	15-80	3°	85
601-5-0804-171	750	PN14	780-804	937	216	350	15-80	3°	86
601-5-0814-171	750	PN14	790-814	947	216	350	15-80	3°	87
601-5-0823-171	750	PN14	799-823	956	216	350	15-80	3°	87
601-5-0829-171	750	PN14	805-829	962	216	350	15-80	3°	88
601-5-0834-171	750	PN14	810-834	967	216	350	15-80	3°	88
601-5-0844-171	750	PN12	820-844	977	216	350	15-80	3°	90
601-5-0854-171	750	PN12	830-854	987	216	350	15-80	3°	91
601-5-0874-171	750	PN12	850-874	1007	216	350	15-80	3°	93
601-5-0884-171	750	PN12	820-884	1017	216	350	15-80	3°	94
601-5-0894-171	750	PN12	870-894	1027	216	350	15-80	3°	95
601-5-0924-171	900	PN12	900-924	1057	216	350	15-80	3°	98
601-5-0934-171	900	PN12	910-934	1067	216	350	15-80	3°	98
601-5-0944-171	900	PN12	920-944	1077	216	350	15-80	3°	99
601-5-0959-171	900	PN12	935-959	1092	216	350	15-80	3°	101
601-5-0969-171	900	PN12	945-969	1102	216	350	15-80	3°	102
601-5-0974-171	900	PN12	950-974	1107	216	350	15-80	3°	102
601-5-0984-171	900	PN12	960-984	1117	216	350	15-80	3°	103
601-5-0994-171	900	PN12	970-994	1127	216	350	15-80	3°	104
601-5-1034-171	1000	PN10	1010-1034	1167	216	350	15-80	3°	110
601-5-1054-171	1000	PN10	1030-1054	1187	216	350	15-80	3°	111
601-5-1064-171	1000	PN10	1040-1064	1197	216	350	15-80	3°	112
601-5-1074-171	1000	PN10	1050-1074	1207	216	350	15-80	3°	113
601-5-1080-171	1000	PN10	1056-1080	1213	216	350	15-80	3°	114
601-5-1094-171	1000	PN10	1070-1094	1227	216	350	15-80	3°	115
601-5-1104-171	1000	PN10	1080-1104	1237	216	350	15-80	3°	116
601-5-1124-171	1100	PN10	1100-1124	1257	216	350	15-80	3°	118
601-5-1136-171	1100	PN10	1112-1136	1269	216	350	15-80	3°	119
601-5-1154-171	1100	PN10	1130-1154	1287	216	350	15-80	3°	120
601-5-1164-171	1100	PN10	1140-1164	1297	216	350	15-80	3°	121
601-5-1204-171	1100	PN10	1180-1204	1337	216	350	15-80	3°	125
601-5-1224-171	1200	PN10	1200-1224	1357	216	350	15-80	3°	127
601-5-1239-171	1200	PN 9	1215-1239	1372	216	350	15-80	3°	129
601-5-1294-171	1200	PN 9	1270-1294	1427	216	350	15-80	3°	134
601-5-1304-171	1200	PN 9	1280-1304	1437	216	350	15-80	3°	135
601-5-1314-171	1200	PN 9	1290-1314	1447	216	350	15-80	3°	136

The designs, materials and specifications shown are subject to change without notice. This is due to the continuous development of our product range.